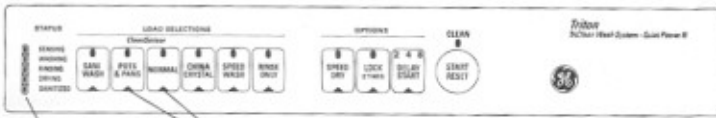
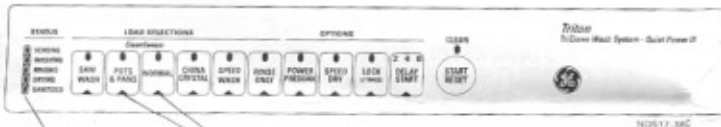


165D6290G002



NOTE: F-1 Test Pads LEDs Displayed during F-1 Test Table



NOTE: F-1 Test Pads LEDs Displayed during F-1 Test Table

F-1 TEST CYCLE SETUP

1. Close detergent cup and latch door.
2. Press **POTS & PANS** and **NORMAL WASH** keypads at the same time and hold for one second. The control will then step through the test automatically.
 - If any keypad is pressed (except **HEATED DRY**) the control will beep and advance to the next step.
 - If **POTS & PANS** and **NORMAL WASH** keypads are pressed at the same time for 0.5 seconds the control will exit test cycle, pump any water out and return to normal operation.
 - Pump will come on in step 4 and stay on until step 11.
 - Use clamp on amp meter to check current flow in heating coil.

FREEZE CAPABILITY

The FREEZE CAPABILITY will allow the repair technician to pause only the F1 test cycle. Pressing the **HEATED DRY** keypad will cause the control to pause on the current test step and the **NORMAL WASH LED** to illuminate. After the control is paused, pressing any keypad will cause the F1 test cycle to resume where it was when the pause was initiated, and the **NORMAL WASH LED** will be turned OFF. IF the F1 test cycle is paused in a step with the heater ON, then the control will turn the heater OFF after one (1) minute into the FREEZE CAPABILITY pause.

F-1 TEST DIAGNOSTIC DISPLAY RESPONSE		
LED Display	Explanation	Potential Problem Fault
DRYING	The DRYING LED will flash and control will beep when the sequence switch is not reaching its target position within 30 seconds	1. Check connections between sequence switch and control 2. Replace sequence switch 3. Replace control
RINSING	The RINSING LED will flash and control will beep when model selection connector is missing	Install correct model plug

Part # 144
GE 165D 5315

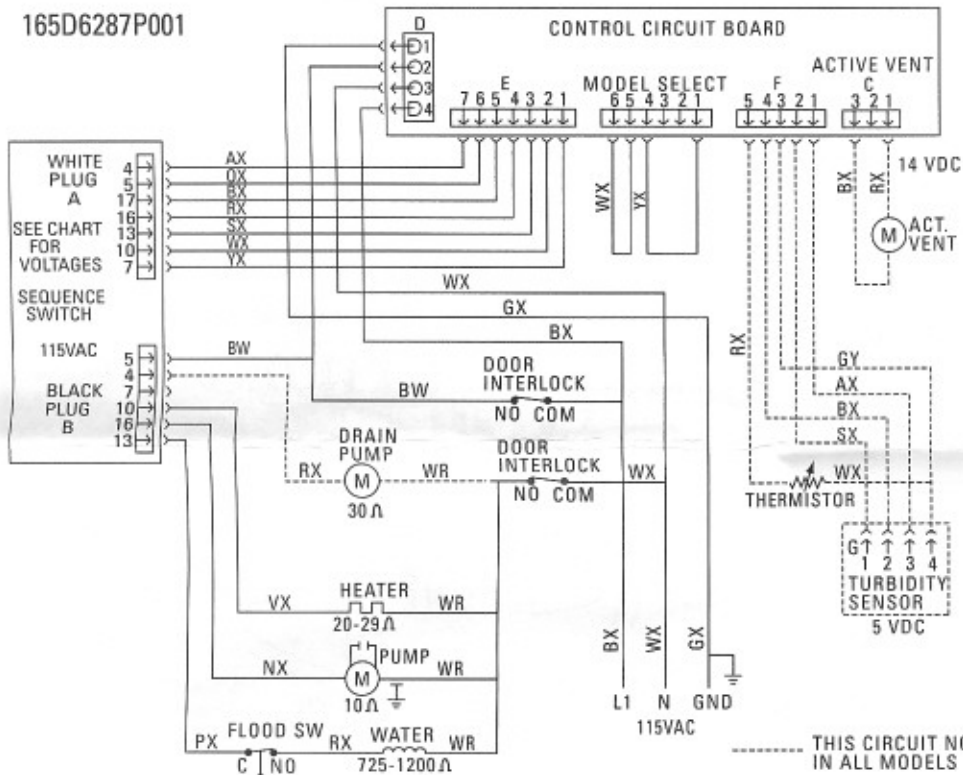
F-1 TEST CYCLE MATRIX

STEP	TIME (Sec)	SEQUENCE SWITCH ACTION	LED DISPLAY*	DESCRIPTION
1	30	—	Key 2, SENSING, WASHING flash; Any combination of KEY 1 and DELAY START 1, 2 or 3	(Factory Use Only)
2	5	—	Illuminate all LEDs	Energize all LEDs for seconds
3	10 + 50	Trip Detergent & Fill	DRYING, SANITIZED	Sequence switch trip detergent cup. Water ON for 50 seconds
MODELS WITH 1.25 WATER VALVE:				
4a	32	Fill & Circulate	RINSING	Water valve and main ON for 32 seconds; Cl active vent
MODELS WITH 1.70 WATER VALVE:				
4b	10	Fill & Circulate	RINSING	Water valve and main ON for 10 seconds; Cl active vent
5	60	Circulate & Heat	RINSING, SANITIZED	Main pump and Calrod for 60 seconds
6	10	Circulate & Drain	RINSING, DRYING	Main pump and auxiliary ON for 10 seconds to evacuate water
7	50	Circulate	RINSING, DRYING, SANITIZED	Continue main pump an auxiliary pump for 50 se to evacuate water
8	< 10	Trip Rinse Agent & Self-diagnostics	WASHING	Sequence switch trips ri agent; Read turbidity sen temperature sensor and EEPROM. If turbidity or diagnostic errors occur, energize beeper and flas LEDs (see below).
9	50	Fill	WASHING, SANITIZED	Water valve ON for 50 seconds
MODELS WITH 1.25 WATER VALVE:				
10a	22	Fill & Circulate	WASHING, DRYING	Water valve and main pur ON for 22 seconds
MODELS WITH 1.70 WATER VALVE:				
10b	3	Fill & Circulate	WASHING, DRYING	Water valve and main pur ON for 3 seconds
11	3600 (60 min.)	Circulate & Heat	WASHING, DRYING, SANITIZED	Main pump and Calrod ON for 60 minutes
12	5	Drain Pump	Illuminate all LEDs	Energize all LEDs for 5 seconds and energize the auxiliary pump to evacuate water; Open active vent
13	70	Drain Pump	WASHING, RINSING	Auxiliary pump ON for 70 seconds to evacuate water
14	—	Home	WASHING, RINSING, DRYING, SANITIZED	Drive sequence switch to Home position and exit F1 Test Cycle

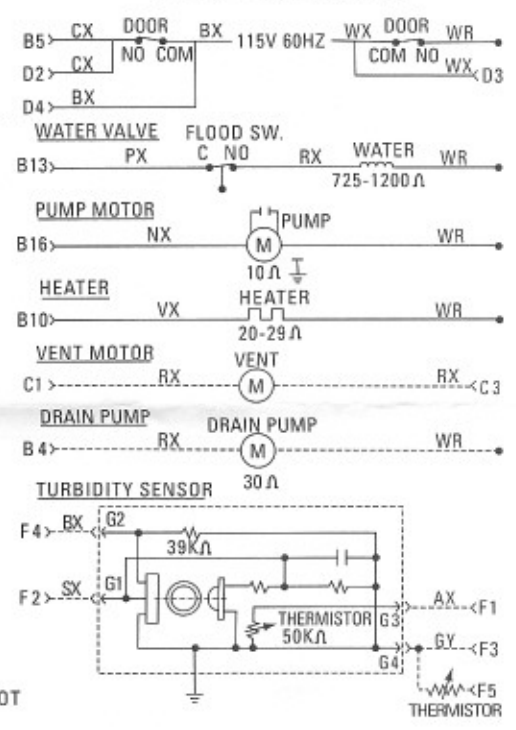
*NOTE: KEY 1 & KEY 2 represent key positions # 1 & #2, starting left of the DELAY START keypad respectively. DELAY START 1, 2 & 3 represent the leftmost, middle and rightmost DELAY START LEDs, respectively.

In **STEP 8** of the F1 Test Cycle: If the control senses a turbidity sensor error, then the control will flash the SENSING LED. If the control senses a tub temperature sensor error, then the control will flash the HEATED DRY LED. If the control senses an EEPROM error, then the control will flash the LOCK LED. If any of these diagnostic errors are detected, the cycle will not advance to STEP 9 until a key is pressed.

165D6287P001



STRIP CIRCUITS

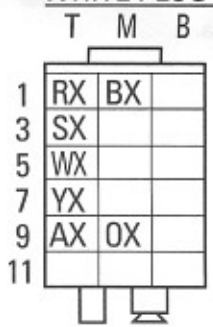


SEQUENCE SWITCH WHITE PLUG VOLTAGES

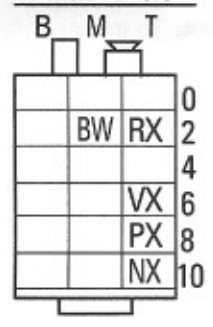
PIN	VDC	
4	14	DRIVE MOTOR ••
5	14	DRIVE MOTOR ••
17	5	5 VDC COMMON
16	5	
13	5	
10	5	
7	5	

••ONLY POWERED WHEN SEQUENCE SW. IS ROTATING. VOLTAGE MAY BE + OR - DEPENDING ON DIRECTION OF ROTATION.

SEQUENCE SW. TERMINAL LOCATIONS WHITE PLUG



SEQUENCE SW. TERMINAL LOCATIONS BLACK PLUG



SEQUENCE SWITCH LEAD COLORS

COLOR CODE

LETTERS	COLOR	LETTERS	COLOR
AX	LT. BLUE	RX	RED
BX	BLACK	SX	GRAY
CX	BROWN	TX	TAN
NX	DK. BLUE	VX	PURPLE
OX	ORANGE	WX	WHITE
PX	PINK	YX	YELLOW

THE "X" INDICATES ONE SOLID COLOR-NO TRACER. WIRES WITH TRACER SHOW BOTH COLORS. EXAMPLE - WR IS WHITE WITH RED TRACER.

ND517-36A